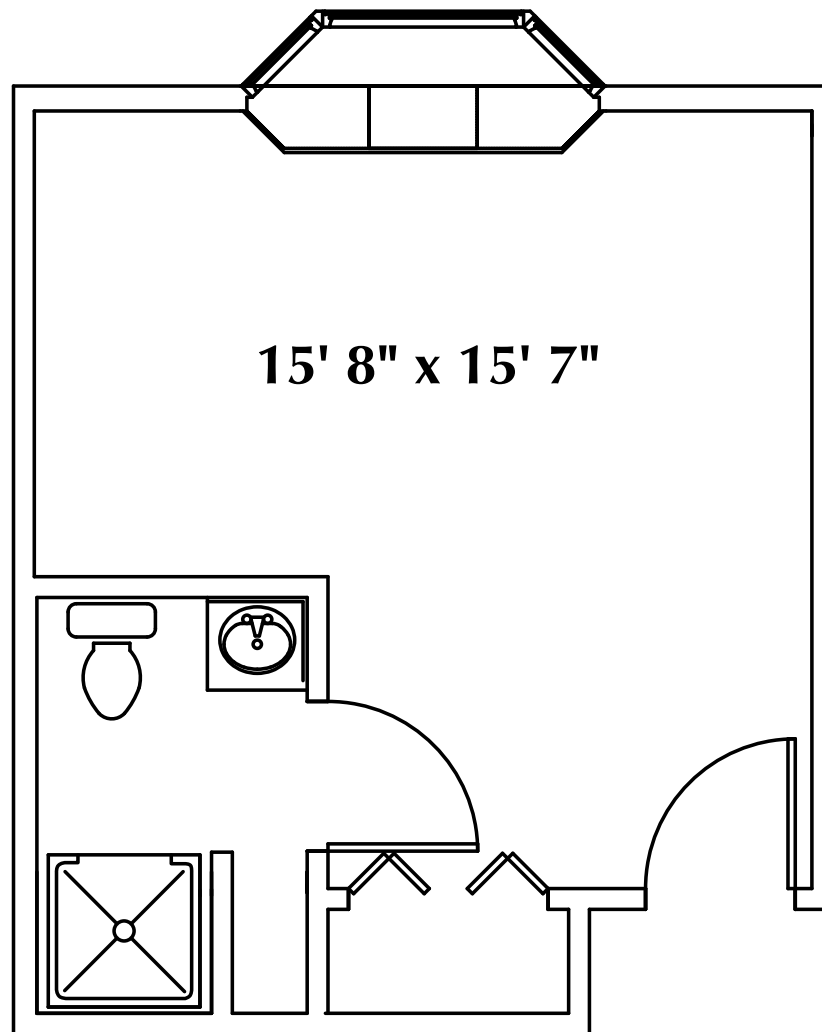




Seminole Shores Assisted Living Center

Standard Studio



Seminole Shores Assisted Living Center
850 Seminole Road, Norton Shores, MI 49441
Phone: 231-780-2944 / TRS Dial: 7-1-1 / Fax: 231-780-2599
Email: seminoleshoresalc@heritagepmi.com
www.seminoleshoresalc.com



EQUAL HOUSING OPPORTUNITY

