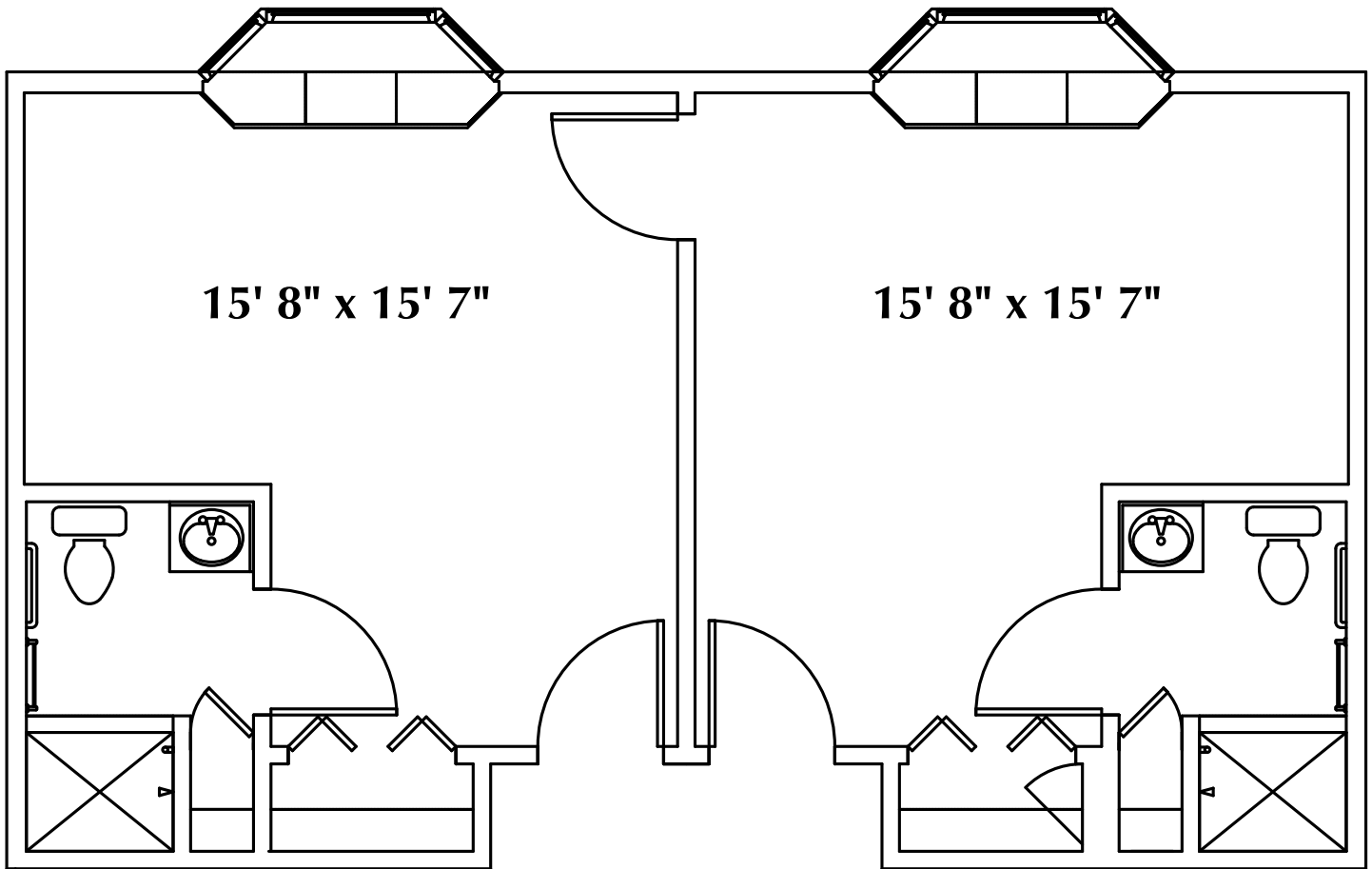




# Sheldon Meadows Assisted Living Center

## Standard Suite



Sheldon Meadows Assisted Living Center  
4482 Port Sheldon Road, Hudsonville, MI 49426  
Phone: 616-662-8191 / TRS Dial: 7-1-1 / Fax: 616-662-1696  
Email: sheldonmeadowsalc@heritagepmi.com  
www.sheldonmeadowsalc.com



EQUAL HOUSING OPPORTUNITY

